

1.3 Megapixel H.264 HD Pendant Dome Camera with LightCatcher™ Technology



Avigilon's end-to-end surveillance solutions deliver image detail no other system can match. Avigilon Control Center software, featuring High Definition Stream Management (HDSM)™ technology combined with our broad range of megapixel cameras (from 1 MP to 29 MP) provide unprecedented clarity—while effectively managing storage and bandwidth requirements. Our components are scalable and can work together in an end-to-end system, or can be customized to create your own powerful and cost-effective solution.

The innovative H.264 HD dome camera is just one way Avigilon can help provide the very best monitoring and protection.



In environments where low-light conditions exist, capturing a crisp image in color can have a significant impact in the ability to recognize, identify and respond effectively to incidents that may occur. Avigilon's 1.3 MP H.264 HD camera features advanced LightCatcher™ technology, which collects significantly more detail from a low-light scene to produce a higher quality color image with less noise. Onboard storage capabilities let you manage storage directly on the camera using a standard SD memory card. Operating on Avigilon's upgraded H3 platform, this camera is ONVIF compliant for seamless integration with the Avigilon Control Center and other leading VMS solutions. Avigilon's 1.3 MP HD camera with LightCatcher™ technology is ideal for all situations where surveillance with monochrome images is not acceptable, such as hotel lobbies, restaurants, stairwells, or commercial premises

*Mount sold separately (MNT-PEND-WALL)

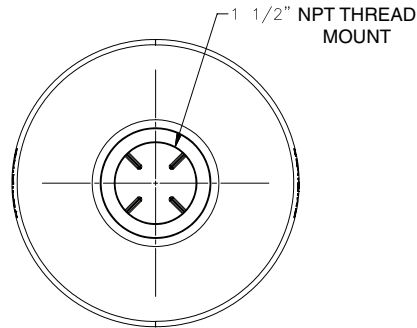
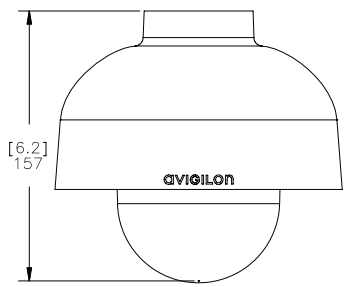
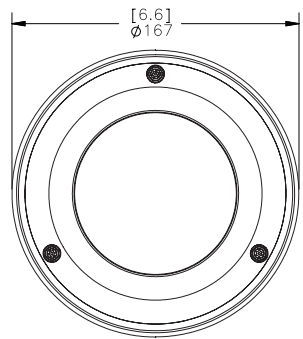
KEY FEATURES

1.3 megapixel progressive scan CMOS sensor
Avigilon LightCatcher™ technology provides unsurpassed image quality in low light environments
Available with 3-9 mm F1.2 P-Iris lens with remote focus and zoom
30 images per second at full resolution
71 dB true dynamic range
SD card slot for onboard storage support
H.264 and Motion JPEG compression
ONVIF API compliance with version 1.02, 2.00 and Profile S
Multiple video streams
Automatic removable IR cut filter for IR sensitivity at night
Power over Ethernet, 24 VAC or 12 VDC power input
Audio Input and Output
Analog Video Output
External I/O
Vandal resistant construction and IP66 compliant

Specifications

CAMERA	Image Sensor	1/3" progressive scan CMOS		
	Active Pixels	1280 (H) x 1024 (V)		
	Imaging Area	4.8 mm (H) x 3.84 mm (V); 0.189" (H) x 0.151" (V)		
	Minimum Illumination	0.02 lux (F1.2) in color mode; 0.002 lux (F1.2) in monochrome mode		
	Dynamic Range	71 dB		
	Lens	3-9 mm, F1.2, P-Iris, remote focus and zoom		
	Angle of View	30° - 88°		
	Image Compression Method	H.264 (MPEG-4 Part 10/AVC), Motion JPEG		
	Image Rate	30 (all resolutions)		
	Streaming	Multi-stream H.264 and Motion JPEG		
	Resolution Scaling	Down to 768 x 432		
	Motion Detection	Selectable sensitivity and threshold		
	Electronic Shutter Control	Automatic, Manual (1/6 to 1/2000 sec)		
	Iris Control	Automatic, Manual		
	Day/Night Control	Automatic, Manual		
	Flicker Control	50 Hz, 60 Hz		
	White Balance	Automatic, Manual		
	Privacy Zones	Up to 4 zones		
	Audio Compression Method	G.711 PCM 8 kHz		
	Audio Input	Line input, A/V mini-jack (3.5 mm)		
Audio Output	Line level, A/V mini-jack (3.5 mm)			
Video Output	NTSC/PAL, A/V mini-jack (3.5 mm)			
External I/O Terminals	Alarm In, Alarm Out			
NETWORK	Network	100BASE-TX		
	Cabling Type	CAT5		
	Connector	RJ-45		
	API	ONVIF compliance version 1.02, 2.00, Profile S (www.onvif.org)		
	Security	Password protection, HTTPS encryption, digest authentication, WS authentication, user access log, 802.1x port based authentication.		
	Protocol	IPv4, HTTP, HTTPS, SOAP, DNS, NTP, RTSP, RTP, TCP/UDP, IGMP, ICMP, DHCP, Zeroconf, ARP		
	Streaming Protocols	RTP/UDP, RTP/UDP multicast, RTP/RTSP/TCP, RTP/RTSP/HTTP/TCP, RTP/RTSP/HTTPS/TCP, HTTP		
	MECHANICAL	Dimensions (ØxH)	167 mm x 157 mm (6.6" x 6.2")	
Weight		2.1 kg (4.6 lbs)		
Dome Bubble		Polycarbonate, clear		
Body		Aluminum		
Housing		Pendant mount, vandal resistant		
Finish		Powder coat, cool gray 2		
Adjustment Range		360° pan, 180° tilt, 180° azimuth		
Onboard Storage		SD/SDHC/SDXC slot – minimum class 4; class 6 or better recommended		
ELECTRICAL	Power Consumption	9 W		
	Power Source	VDC: 12 V +/- 10%, 10 W min VAC: 24 V +/- 10%, 12 VA min PoE: IEEE802.3af Class 3 compliant		
	Power Connector	2-pin terminal block		
ENVIRONMENTAL	Operating Temperature	-30°C to +50°C (-22°F to 122°F)		
	Storage Temperature	-10°C to +70°C (14°F to 158°F)		
CERTIFICATIONS	Safety	UL 60950 CSA 60950	EN 60950-1 CE	ROHS WEEE
	Environmental	IK10 Impact Rating Meets IP66 Weather Rating		
	Electromagnetic Emissions	FCC Part 15 Subpart B Class B	IC ICES-003 Class B	EN 55022 Class B
	Electromagnetic Immunity	EN 55024 EN 61000-4-2 EN 61000-4-3	EN 61000-4-4 EN 61000-4-5	EN 61000-4-6 EN 61000-4-11
ORDERING INFORMATION	1.3L-H3-DP1	1.3 Megapixel H.264 HD 3-9mm Pendant Dome Camera with LightCatcher™ Technology		
	H3-DOP-SMOKE	Dome Camera Cover with Smoked Bubble		
	MNT-PEND-WALL	Indoor/Outdoor Pendant Mount Bracket		

Outline Dimensions



[X.X]	INCHES
X	MM